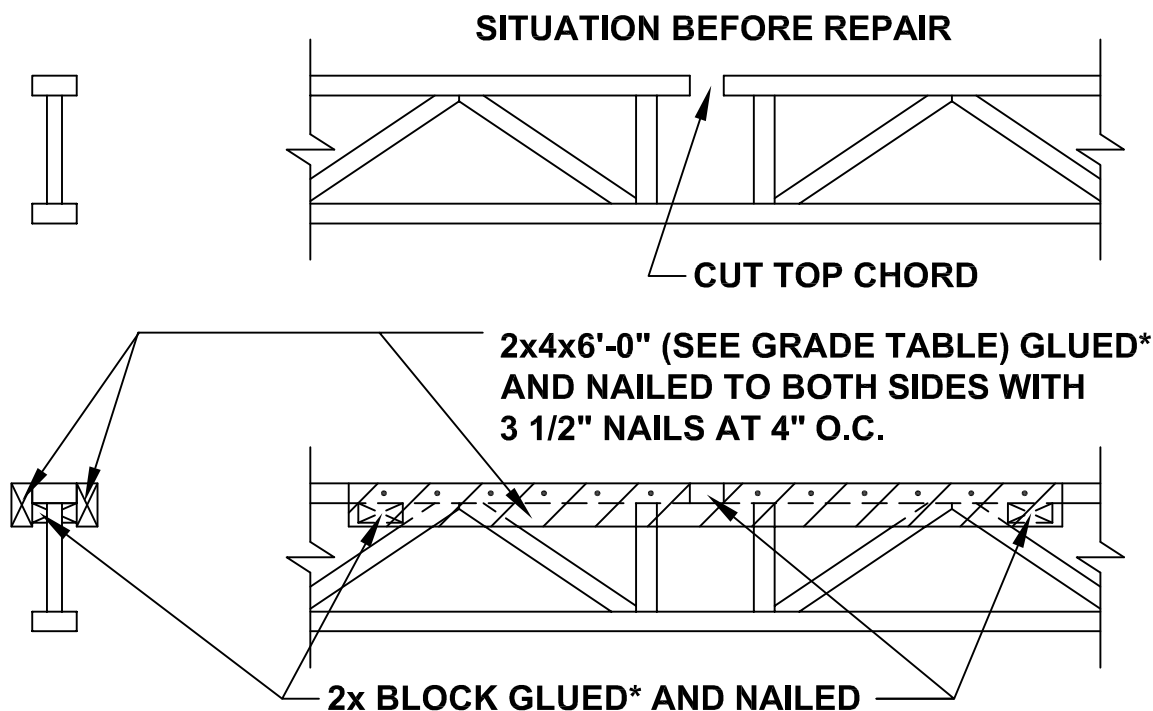


# REPAIR DETAIL

## TYPICAL REPAIR METHOD FOR ACCIDENTALLY CUT TOP CHORD



**\*PL 400 WATERPROOF GLUE OR EQUIVALENT.**

### GRADE TABLE

GRADE OF OPEN JOIST	MIN. GRADE OF 2x4 LUMBER
SPF #1/#2	SPF #1/#2 or SYP #3
SPF 2100F 1.8E	SPF #1/#2 or SYP #3
SPF 2400F 2.0E	SPF SS or SPF 1450F 1.3E or SYP #2

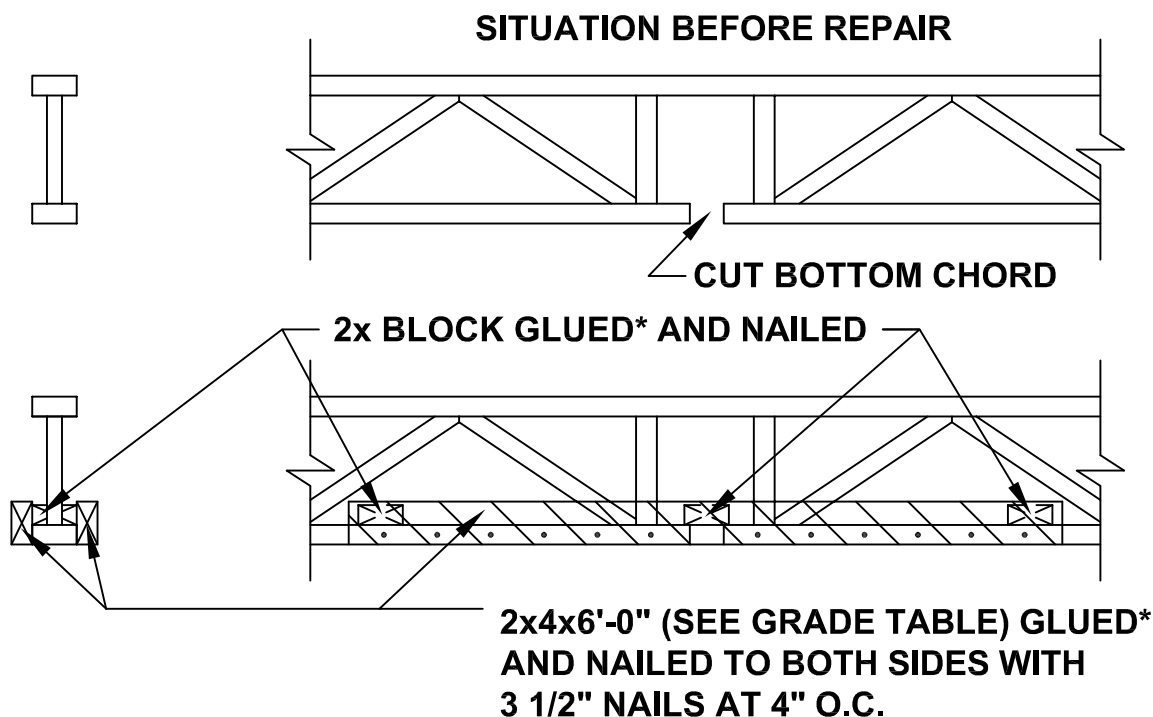
CUSTOMER: \_\_\_\_\_

LOT: \_\_\_\_\_

SUB DIVISION: \_\_\_\_\_

# REPAIR DETAIL

## TYPICAL REPAIR METHOD FOR ACCIDENTALLY CUT BOTTOM CHORD



\*PL 400 WATERPROOF GLUE OR EQUIVALENT.

### GRADE TABLE

GRADE OF OPEN JOIST	MIN. GRADE OF 2x4 LUMBER
SPF #1/#2	SPF #1/#2 or SYP #2
SPF 2100F 1.8E	SPF SS or SPF 1450F 1.3E or SYP #1
SPF 2400F 2.0E	SPF 1650F 1.5E or SYP Non-Dense SS

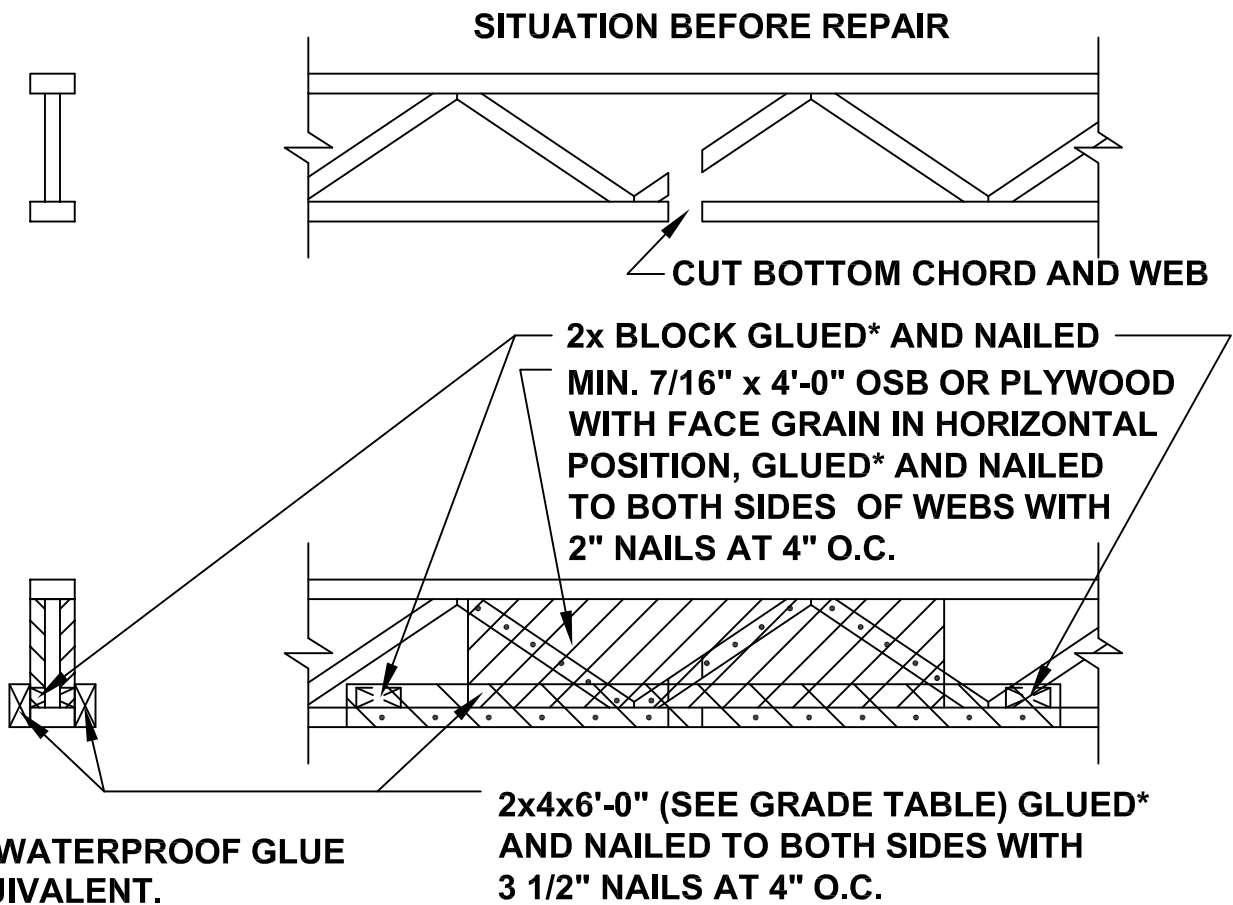
CUSTOMER: \_\_\_\_\_

LOT: \_\_\_\_\_

SUB DIVISION: \_\_\_\_\_

# REPAIR DETAIL

## TYPICAL REPAIR METHOD FOR ACCIDENTALLY CUT BOTTOM CHORD AND WEB MEMBER



### GRADE TABLE

GRADE OF OPEN JOIST	MIN. GRADE OF 2x4 LUMBER
SPF #1/#2 SPF 2100F 1.8E SPF 2400F 2.0E	SPF #1/#2 or SYP #2 SPF SS or SPF 1450F 1.3E or SYP #1 SPF 1650F 1.5E or SYP Non-Dense SS

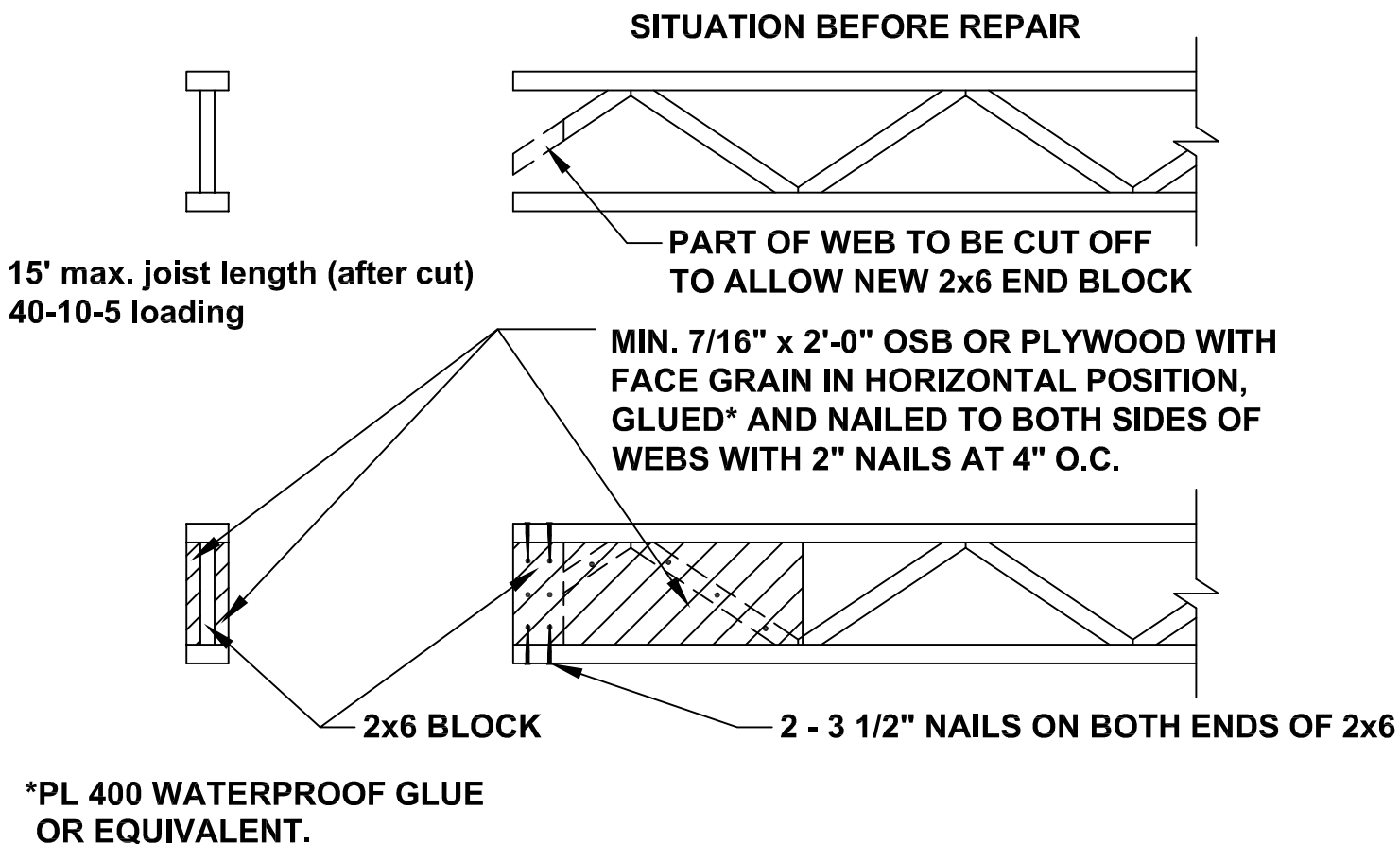
CUSTOMER: \_\_\_\_\_

LOT: \_\_\_\_\_

SUB DIVISION: \_\_\_\_\_

## REPAIR DETAIL

### TYPICAL REPAIR METHOD FOR ACCIDENTALLY CUT JOIST'S END



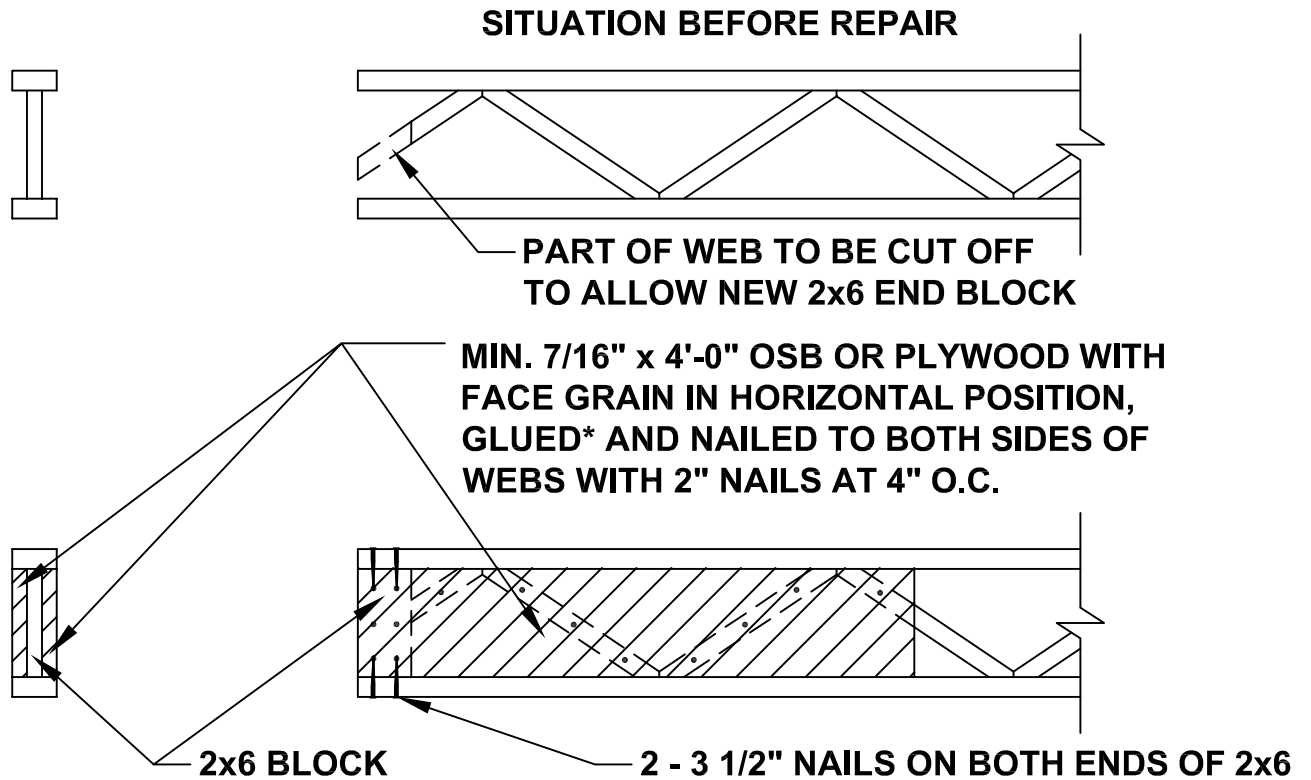
CUSTOMER: \_\_\_\_\_

LOT: \_\_\_\_\_

SUB DIVISION: \_\_\_\_\_

## REPAIR DETAIL

### TYPICAL REPAIR METHOD FOR ACCIDENTALLY CUT JOIST'S END



\*PL 400 WATERPROOF GLUE  
OR EQUIVALENT.

CUSTOMER: \_\_\_\_\_

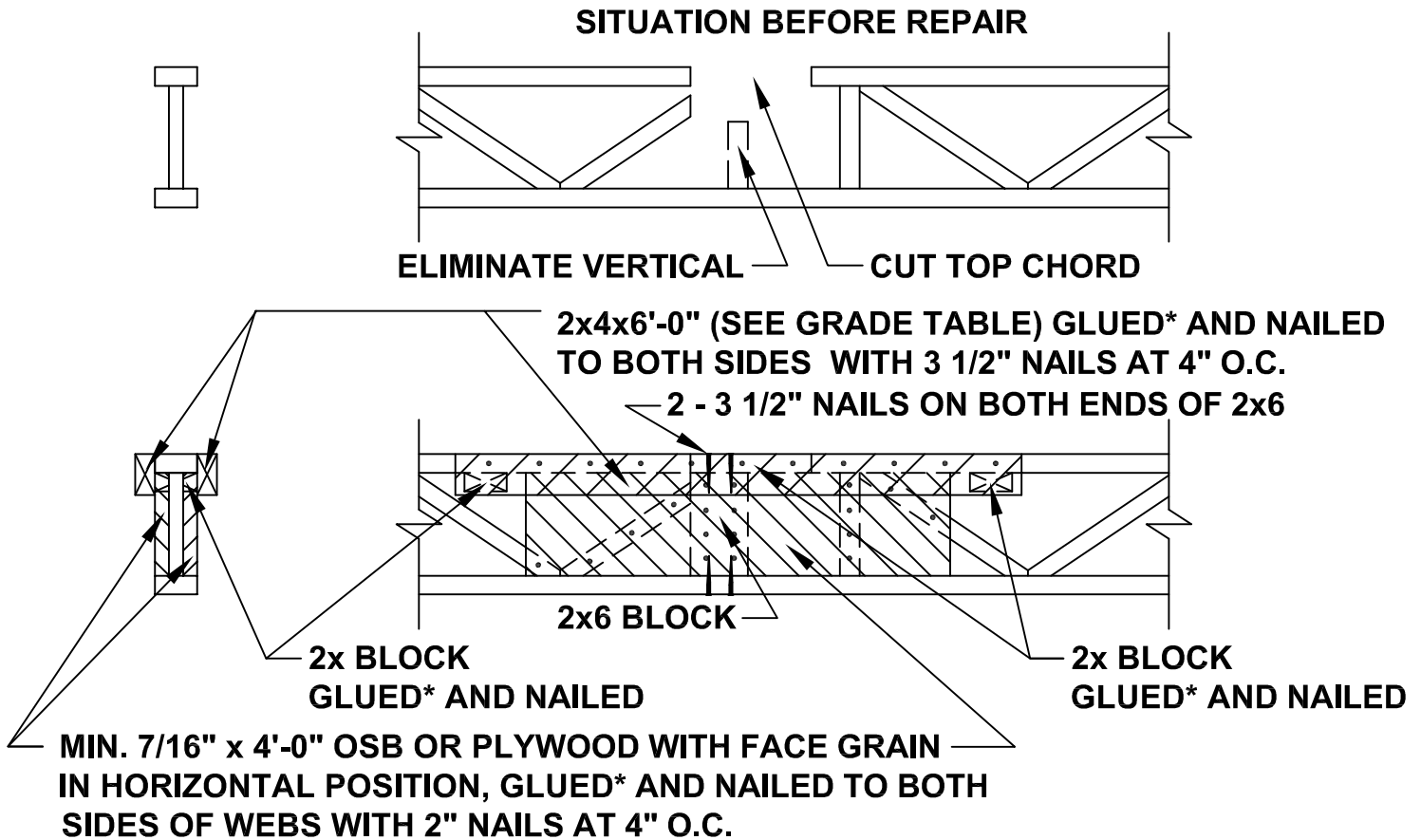
LOT: \_\_\_\_\_

SUB DIVISION: \_\_\_\_\_

08/06/15

# REPAIR DETAIL

## TYPICAL REPAIR METHOD FOR ACCIDENTALLY CUT TOP CHORD AND WEB MEMBER



\*PL 400 WATERPROOF GLUE OR EQUIVALENT.

### GRADE TABLE

GRADE OF OPEN JOIST	MIN. GRADE OF 2x4 LUMBER
SPF #1/#2	SPF #1/#2 or SYP #3
SPF 2100F 1.8E	SPF #1/#2 or SYP #3
SPF 2400F 2.0E	SPF SS or SPF 1450F 1.3E or SYP #2

CUSTOMER: \_\_\_\_\_

LOT: \_\_\_\_\_

SUB DIVISION: \_\_\_\_\_

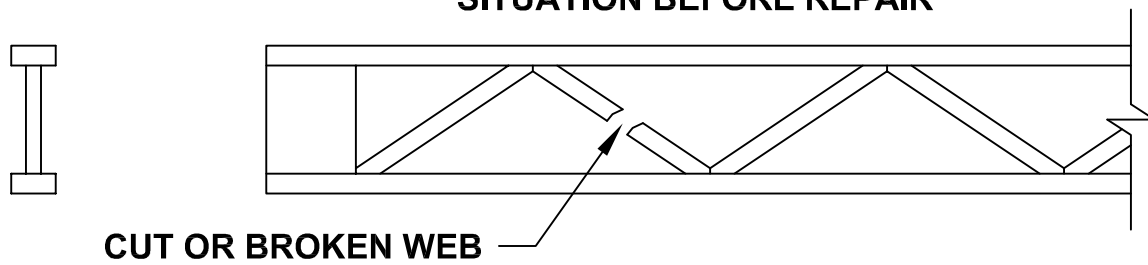


**OPEN JOIST**  
3778 Oneida Valley Road  
Emlenton, PA 16373  
Phone: (724) 867-1100  
Fax: (724) 867-0676

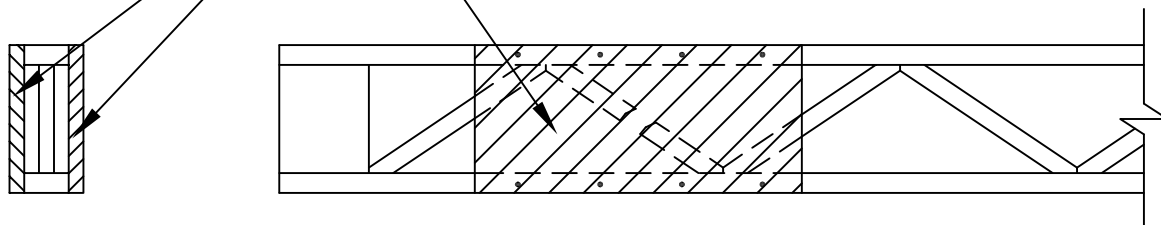
# REPAIR DETAIL

## TYPICAL REPAIR METHOD FOR ACCIDENTALLY CUT OR BROKEN WEB

SITUATION BEFORE REPAIR



MIN. 7/16" x 2'-0" OSB OR PLYWOOD WITH FACE GRAIN IN HORIZONTAL POSITION, GLUED\* AND NAILED TO BOTH SIDES OF TOP AND BOTTOM CHORDS WITH 2 1/2" NAILS AT 6" O.C.



\*PL 400 WATERPROOF GLUE  
OR EQUIVALENT.

CUSTOMER: \_\_\_\_\_

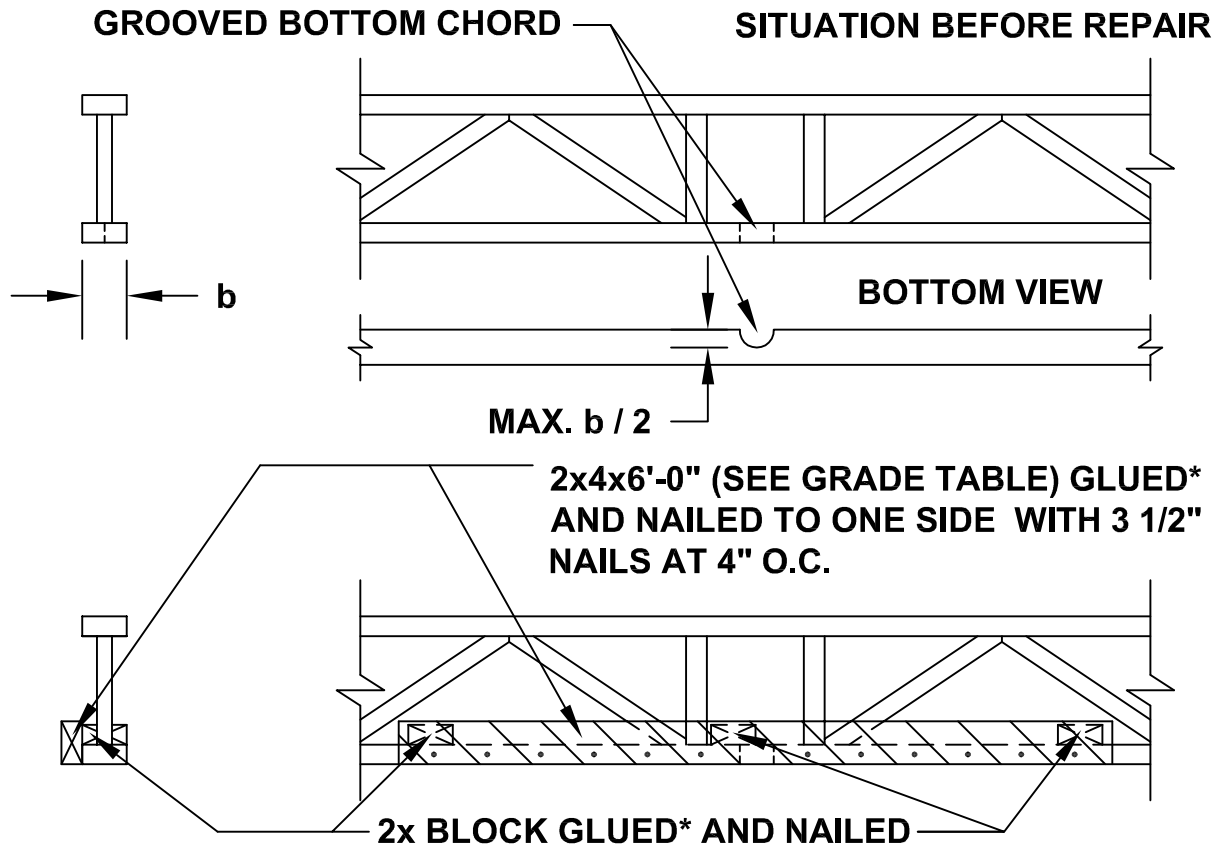
LOT: \_\_\_\_\_

SUB DIVISION: \_\_\_\_\_

08/06/15

# REPAIR DETAIL

## TYPICAL REPAIR METHOD FOR ACCIDENTALLY GROOVED BOTTOM CHORD



\*PL 400 WATERPROOF GLUE OR EQUIVALENT.

### GRADE TABLE

GRADE OF OPEN JOIST	MIN. GRADE OF 2x4 LUMBER
SPF #1/#2	SPF #1/#2 or SYP #2
SPF 2100F 1.8E	SPF SS or SPF 1450F 1.3E or SYP #1
SPF 2400F 2.0E	SPF 1650F 1.5E or SYP Non-Dense SS

CUSTOMER: \_\_\_\_\_

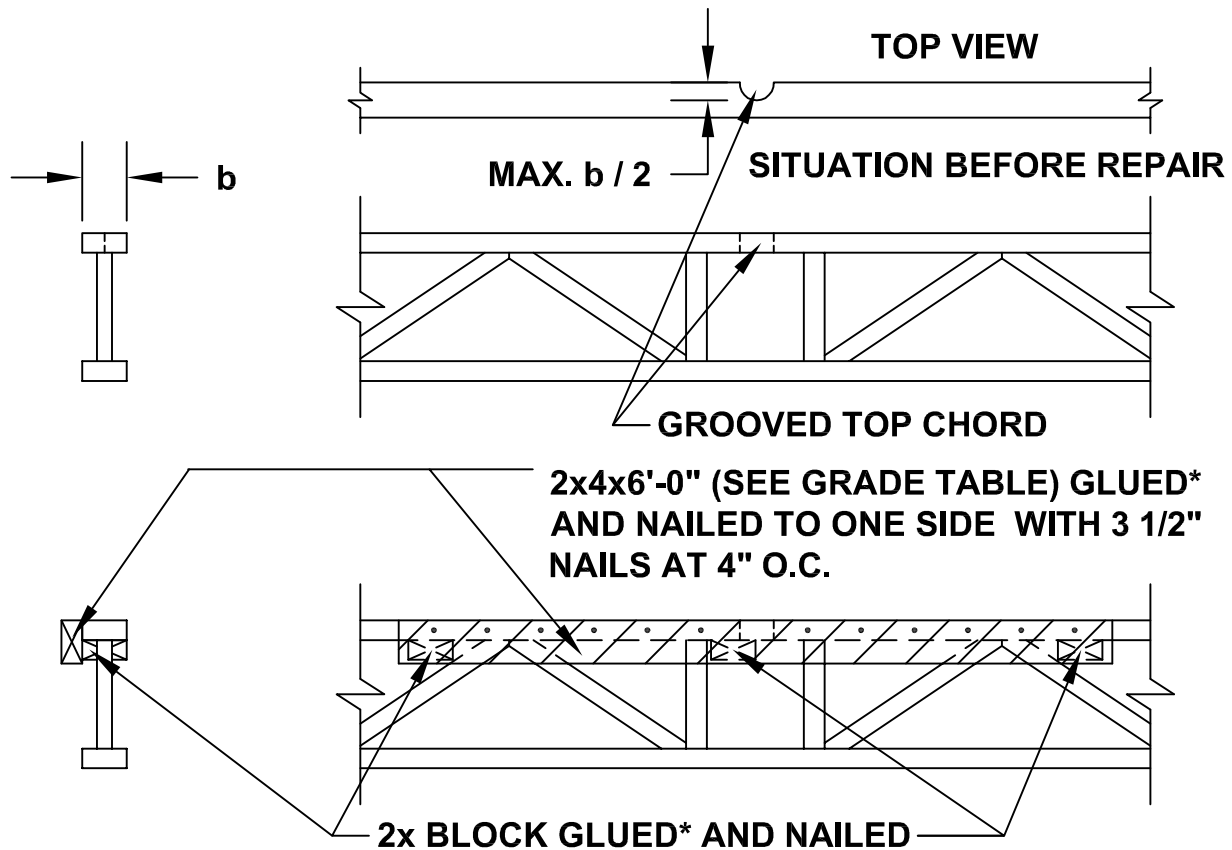
LOT: \_\_\_\_\_

SUB DIVISION: \_\_\_\_\_



# REPAIR DETAIL

## TYPICAL REPAIR METHOD FOR ACCIDENTALLY GROOVED TOP CHORD



\*PL 400 WATERPROOF GLUE  
 OR EQUIVALENT.

### GRADE TABLE

GRADE OF OPEN JOIST	MIN. GRADE OF 2x4 LUMBER
SPF #1/#2	SPF #1/#2 or SYP #3
SPF 2100F 1.8E	SPF #1/#2 or SYP #3
SPF 2400F 2.0E	SPF SS or SPF 1450F 1.3E or SYP #2

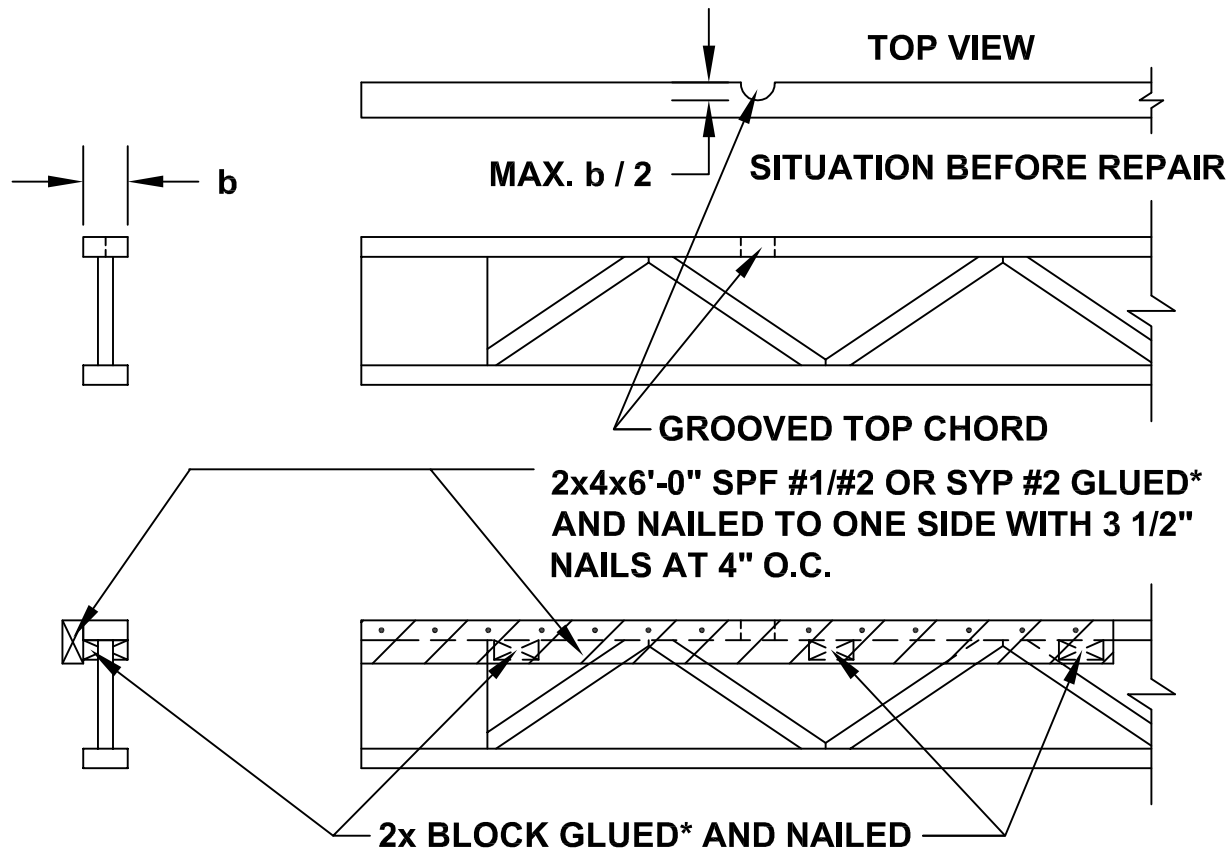
CUSTOMER: \_\_\_\_\_

LOT: \_\_\_\_\_

SUB DIVISION: \_\_\_\_\_

## REPAIR DETAIL

### TYPICAL REPAIR METHOD FOR ACCIDENTALLY GROOVED TOP CHORD (CRITICAL SHEAR AREA)



\*PL 400 WATERPROOF GLUE  
OR EQUIVALENT.

CUSTOMER: \_\_\_\_\_

LOT: \_\_\_\_\_

SUB DIVISION: \_\_\_\_\_

## REPAIR DETAIL

### ALLOWABLE PERFORATION IN REINFORCED OPEN JOIST

