

TREX SELECT® HORIZONTAL RAILING

Installation Instructions



NOTES:

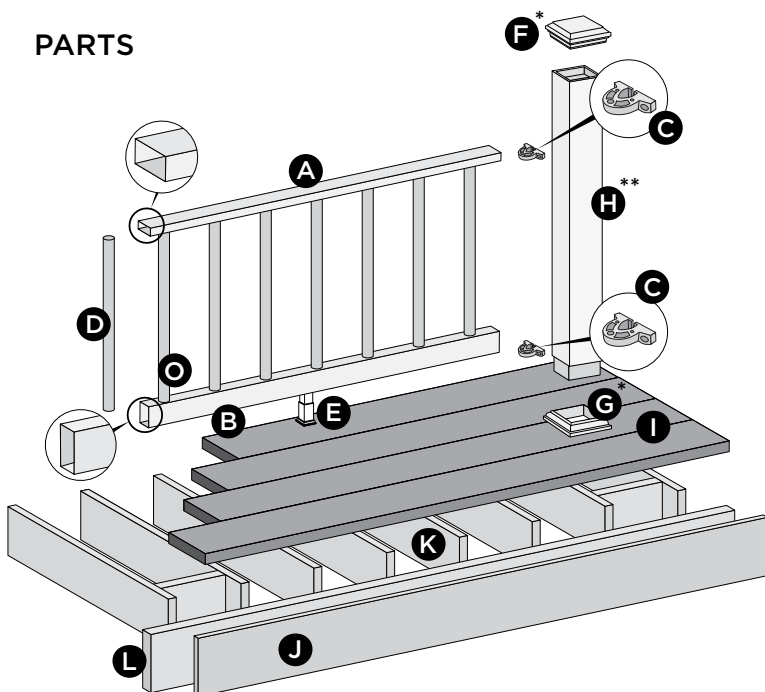
- » TREX SELECT RAILINGS ARE DESIGNED TO BE INSTALLED OVER THE DECKING FRAME OR ON INSIDE OF RIM JOIST. NOTCHING OF PRESSURE-TREATED POSTS OR POSTS INSTALLED ON OUTSIDE OF RIM JOIST IS NOT ALLOWED.
- » All Trex Select Railing lengths are manufactured at ON CENTER dimensions (spanning from center of each post): 67-5/8" (176.8 cm) for 6' (1.83 m) on center, and 91-5/8" (235.3 cm) for 8' (2.44 m) on center. Note that railings are designed to be slightly longer that required to allow for very slight play in post placement - trimming may be required. IT IS VERY IMPORTANT TO MEASURE FIRST.

Care and Cleaning

Maintaining the appearance of your Trex Select railing is important. Occasional washing is recommended. Over time your railing may show signs of weathering as a result of exposure to the elements. The frequency of cleaning will depend on the environment and exposure to various types of elements.

- » Clean railing with standard cleaning vinegar or mild soap and water.
- » For more detailed cleaning recommendations, please refer to the Trex Railing Care and Cleaning guide found on www.trex.com.

PARTS



DETERMINING BALUSTERS NEEDED

Baluster Type	Per 6' OC Section	Per 8' OC Section
Round Aluminum Baluster (Horizontal Application)	14	20

CODE APPROVED APPLICATIONS

	6' Railing	8' Railing
< 30" height decking	Acceptable (Code approval not applicable)	Acceptable (Code approval not applicable)
IRC Compliant	Yes	Yes*
IBC Compliant	No	No

*TREX SELECT 8' ALUMINUM RAIL STIFFENER (sku SELALRAILSTIFFENER) MUST ALSO BE USED. Sold separately.

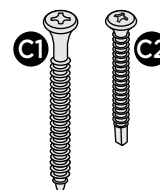
- A. Select top rail
 - B. Select bottom rail
 - C. Brackets
 - D. Balusters
 - E. Adjustable foot block
 - F. Post sleeve cap*
 - G. Post sleeve skirt*
 - H. Post sleeve - 4" x 4" (102 mm x 102 mm) or 6" x 6" (152 mm x 152 mm) post sleeve**
 - I. Trex Decking
 - J. Trex Fascia
 - K. Code-approved Wood Joist - 2" x 8"
 - L. Code-approved Wood Rim Joist - 2" x 8" or Larger
- * Item not included in the Select railing kits.
- ** Both 4" x 4" (102 mm x 102 mm) and 6" x 6" (152 mm x 152 mm) post sleeves are designed to fit over 4x4 pressure-treated post.

NOTES:

- » If installing 42" (1067 mm) railing, use longer post sleeves and measure accordingly to ensure a proper cut. DO NOT CUT TO ACTUAL 42" LENGTH WITHOUT CONFIRMING WHAT STYLE OF RAILING YOU ARE INSTALLING.
- » If using 8' railings, the Trex Select 8' Aluminum Rail Stiffener (sku SELALRAILSTIFFENER) can also be used to allow for the rail to be stronger if required.
- » Ensure pressure-treated posts are installed at proper heights so when post sleeves are installed, both the PT post and post sleeve are flush at top.
- » *See specific installation instructions for attachment of Trex post mounts or Trex Joist Mount Posts prior to installing any railing.

Screws Supplied with RSB

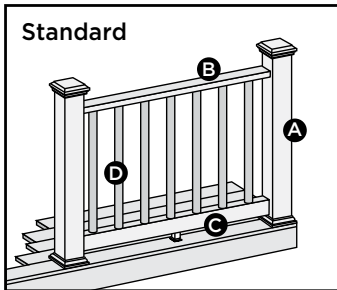
- C1. Wood screw for attachment of RSB to wood post/composite sleeve
- C2. Self-drilling screw for attachment of RSB to rail



TREX SELECT® HORIZONTAL RAILING

Installation Instructions

TREX SELECT® HORIZONTAL RAILING RAILING CONFIGURATIONS



Cutting post sleeves is **NOT** required.

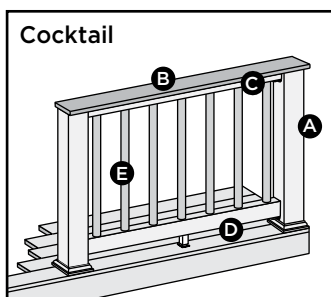
A. Pressure-Treated post/Trex 4x4 or 6x6 post sleeve, Trex post mount/Trex 4x4 or 6x6 post sleeve, or joist mount post/Trex 4x4 or 6x6 post sleeve (INSIDE MOUNT ONLY).

B. Select top rail

C. Select bottom rail

D. Select balusters

See page 3 for "How to Install Standard Horizontal Railing".



Post sleeves **WILL NEED TO BE CUT**.

A. Pressure-treated post with Trex post sleeve

NOTE: » Only for use with 4" x 4" (102 mm x 102 mm) post sleeve.

» Trex post mounts or joist mount posts cannot be Select cocktail design.

B. Deck board top rail.

NOTES: » Enhance cannot be used

» Deck boards will need to be cut to fit each rail span

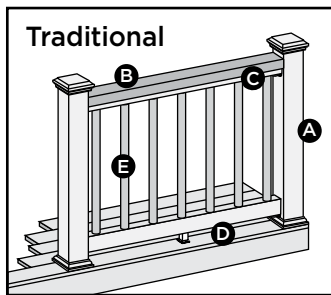
C. Select top rail

D. Select bottom rail

E. Select balusters

See page 5 for "How to Install Cocktail Horizontal Railing".

**POST
SLEEVES
WILL
NEED TO
BE CUT**



Cutting post sleeves is **NOT** required.

A. Pressure-Treated post/Trex 4x4 or 6x6 post sleeve, Trex post mount/Trex 4x4 or 6x6 post sleeve, or joist mount post/Trex 4x4 or 6x6 post sleeve (INSIDE MOUNT ONLY).

B. 2 x 4 lateral top rail

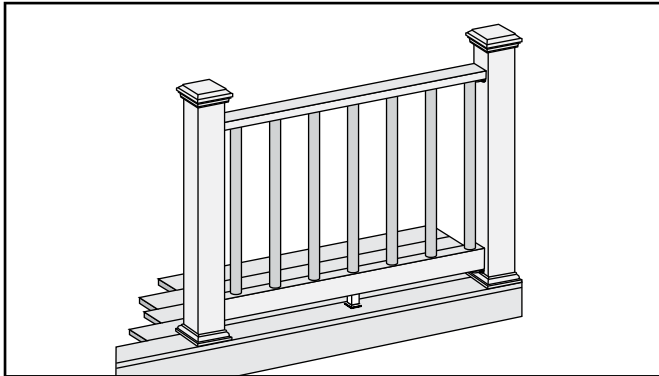
C. Select top rail

D. Select bottom rail

E. Select balusters

See page 7 for "How to Install Traditional Horizontal Railing".

HOW TO INSTALL STANDARD HORIZONTAL RAILING TREX SELECT®



Read all instructions **BEFORE** installation.

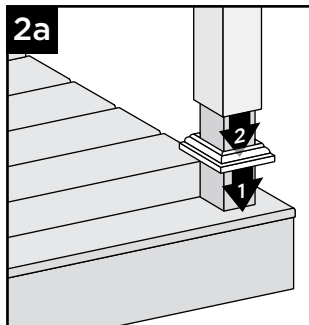
Important: Post sleeves are **NOT** to be cut for this design style.

Installing Pressure-Treated Posts

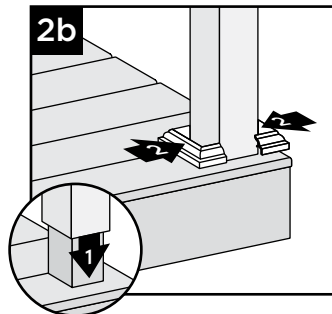
1. **PLEASE REFER TO LOCAL BUILDING CODE REQUIREMENTS PRIOR TO ATTACHING PRESSURE TREATED POSTS.**
 - » Select Railing Kits are designed for posts to be installed at maximum of 6' or 8' (1.83 m or 2.44 m) **ON CENTER** depending on the length being used. **NOTE:** Smaller spans are allowed.

Installing Post Sleeve Skirts and Post Sleeves

2a. If using a 1-piece skirt, slide post sleeve skirt over post and down to rest on decking surface. Slide post sleeve over post and position inside post sleeve skirt.



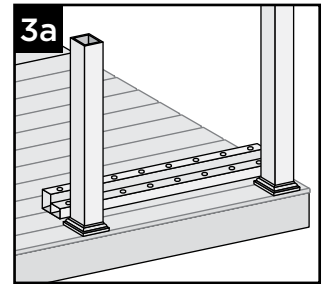
2b. If using a two-piece skirt Slide post sleeve over post and down to rest on decking surface. Snap two piece skirt over post sleeve.



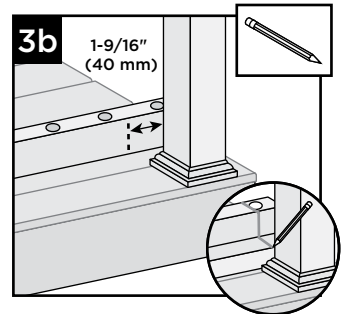
NOTE: Shims can be used to plumb post sleeves.

Cutting Railings

3a. Position bottom and top rails between posts, ensuring baluster holes are lined up and spaced evenly.

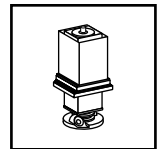


3b. Also allow for a minimum of 1-9/16" (40 mm) on each end of rail for bracket placement **AND** baluster clearance. Mark rails at intersection of rail and post.



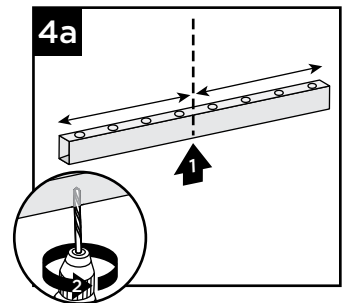
IMPORTANT NOTE REGARDING FOOT BLOCK INSTALLATION:

» Refer to detailed instructions (Trex Select rail instructions) included with foot block prior to installation of railing section as these include other required steps for proper installation.



Attaching Foot Block to Bottom Rail and Adding Weep Holes

4a. Invert the bottom rail. Center and drill a hole using a 3/16" (5 mm) drill bit. This will be location for foot block attachment (to be installed last).



4b. Keeping bottom rail inverted, Use same drill bit, center and drill weep holes through bottom rail at 4 evenly spanned locations to allow for water drainage.

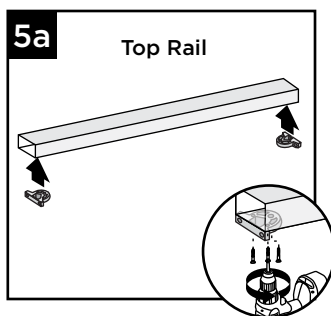
TREX SELECT® HORIZONTAL RAILING

Installation Instructions

HOW TO INSTALL STANDARD HORIZONTAL RAILING/*CONTINUED* TREX SELECT®

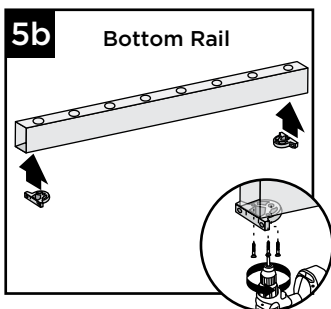
Attaching Brackets to Rails

5a. Position brackets on each end of TOP RAIL on the same side as baluster holes. Attach brackets using three #8-18 x 1" self-drilling screws (*provided*).



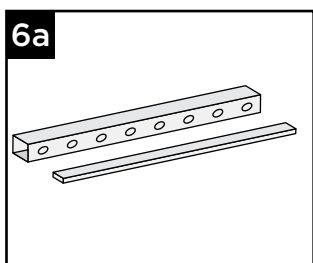
NOTE: For ease of bracket attachment place rail against stationary flat vertical surface along with bracket.

5b. Position brackets on each end of BOTTOM RAIL on the **OPPOSITE SIDE** of the baluster holes. Attach brackets using three #8-18 x 1" self-drilling screws (*provided*).

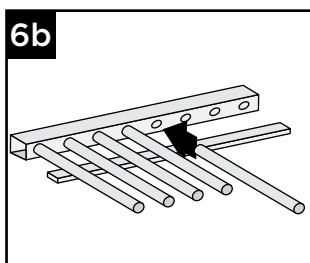


NOTE: For ease of bracket attachment place rail against stationary flat vertical surface along with bracket.

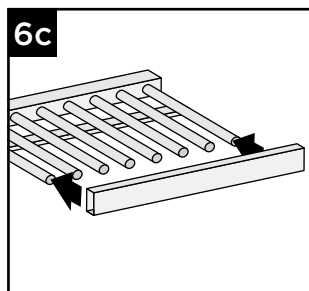
Assembling Railing Section



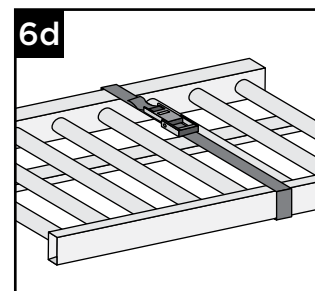
6a. On a clean flat surface, lay bottom railing on its side. Make sure to allow enough room for installation of balusters and top rail. Place a scrap piece of 1" (25 mm) decking board running parallel to bottom rail for support when installing balusters.



6b. Insert balusters into bottom rail slots until balusters are fully seated.



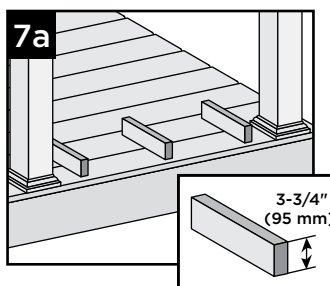
6c. Attach top rail to balusters, feeding each baluster into required slots. Start on one end and work towards the other.



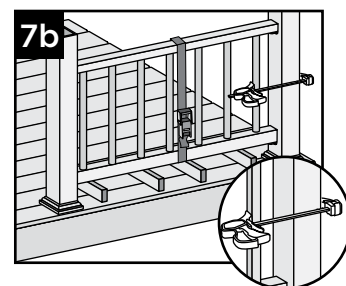
6d. To help temporarily secure the railing section together, place a ratchet strap around the top and bottom rail and tighten until snug.

DO NOT OVERTIGHTEN AS YOU CAN BEND THE RAILING.

Installing Railing Section to Posts



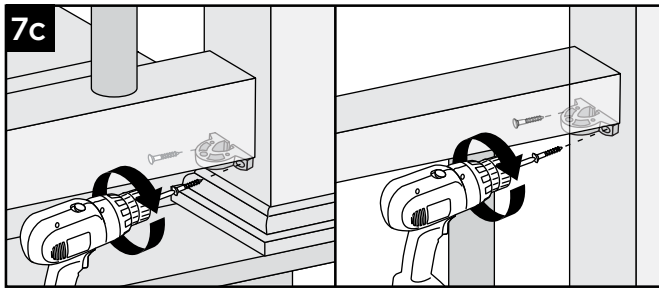
7a. Using scrap material (i.e. 2 x 4s, decking boards, etc.) cut at least three support blocks at 3-3/4" (95 mm) in height. Place one each on decking surface beside each post and one near center of span.



7b. Lift secured railing section up, and **CENTER** this section in between the spanned posts on pre-positioned support blocks.

NOTE: To help stabilize railing section use a quick-grip clamp (or other type of clamp) and clamp the first baluster to post sleeve. **DO NOT OVERTIGHTEN CLAMP.**

HOW TO INSTALL STANDARD HORIZONTAL RAILING/CONTINUED TREX SELECT®



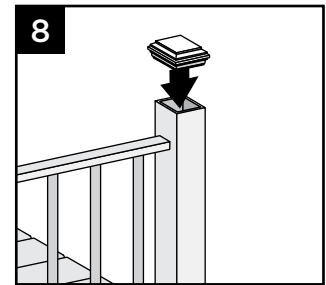
7c. Install both bottom and top brackets on each side to post using two #9-16 x 2" wood screws (provided). If using a 6x6 post sleeve use two #9-16 x 2 1/2" screws (not provided)

NOTE: screws go in at slight angle.

IMPORTANT NOTE: SET DRILL TO LOW SPEED AND LOW CLUTCH SETTING WHEN INSTALLING THESE SCREWS. DO NOT USE IMPACT DRIVER.

Attaching Post Caps and Installing Foot Block

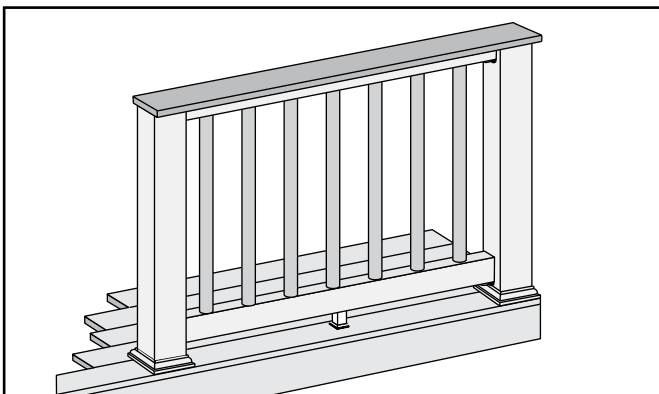
8. Secure post caps with silicone or PVC adhesive (apply adhesive on the inside self-centering/corner tabs). Attach Foot Block per Foot Block instructions.



NOTE: Clean up any excess adhesive before it dries.

HOW TO INSTALL COCKTAIL HORIZONTAL RAILING TREX SELECT®

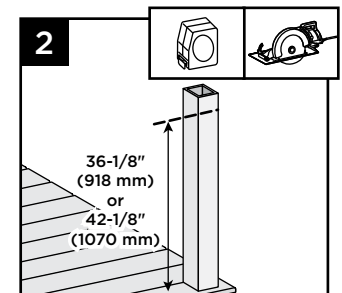
Important: ONLY use for use with pressure-treated 4x4 post (3.5" nominal square) and 4" x 4" (102 mm x 102 mm) post sleeve. Trex Post Mounts or Joist Mount Posts cannot be used with Select Cocktail railing.



1. **Installing Pressure-Treated Posts, Post aSleeve Skirts and Post Sleeves**
See instructions on page 3.

Cutting Post and Post Sleeve

2. Mark and cut post and post sleeve measuring from deck surface:
» 36-1/8" (918 mm) for 36" (914 mm) height.
» 42-1/8" (1070 mm) for 42" (1067 mm) height.



3. Cutting Railings

See instructions on page 3.

4. Attaching Foot Block to Bottom Railing

See instructions on page 3

TREX SELECT® HORIZONTAL RAILING

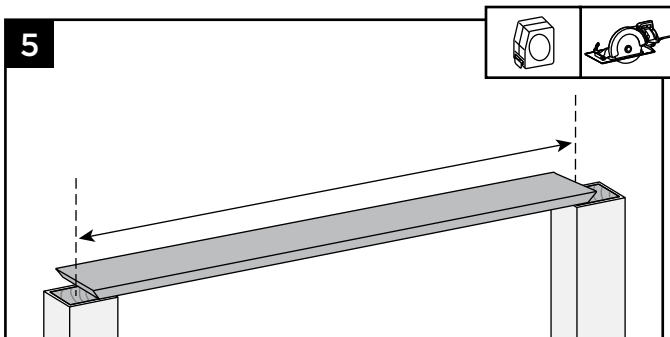
Installation Instructions

HOW TO INSTALL COCKTAIL HORIZONTAL RAILING/CONTINUED TREX SELECT®

Cutting Deck Board

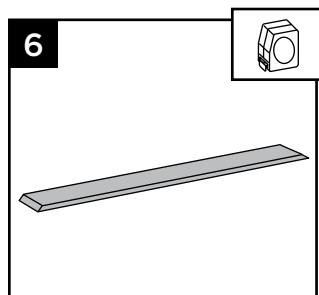
NOTES:

- » If installing in weather below 40°F (4.5°C), leave 1/8" (3 mm) gap between deck boards.
- » Deck boards can overhang end of last post maximum 1/2" (13 mm).



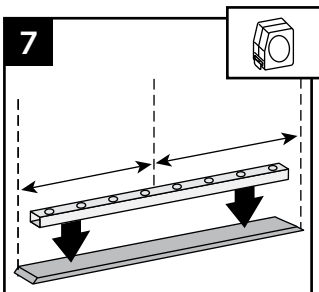
5. Cut deck boards to appropriate length of railing span, remembering to include extra space on each side of the deck board to allow for attachment to the post. Decking boards must cover 1/2 of the pressure-treated post to allow this to be fastened later.

6. Place inverted deck board (top side of deck board face down) on clean, flat surface. (**DO NOT** use Enhance or Escapes deck boards for top rail).

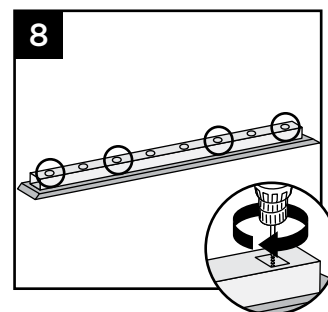


Attaching Deck Board to Select Top Rail

7. Place inverted Select top rail (orient properly so baluster holes are shown top side up), on the deck board, centered in both directions to allow final attachment to post.



8. Secure deck board to Select top rail with 3/4" screws provided approx. every 16" on center. Screws are to be installed inside of the baluster holes into the decking board. **DO NOT** overtighten.



NOTES:

- » A long drill bit will be required to fit inside the baluster holes.
- » If installing 8' rail section and using Aluminum Rail Stiffener, predrilling will be required through the stiffener.

9. Attaching Brackets to Rails

See instructions on page 3 and 4.

10. Assembling Railing Sections

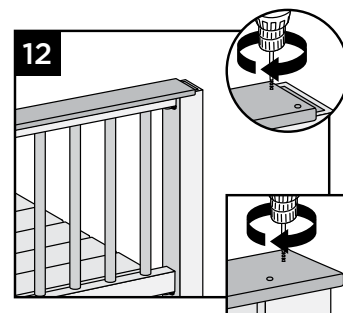
See instructions on page 4.

11. Installing Railing Sections to Posts

See instructions on page 4.

12. Attaching Deck Board to Posts

Attach boards on each post with Trex recommended composite screws (quantity of 2 per each board end).

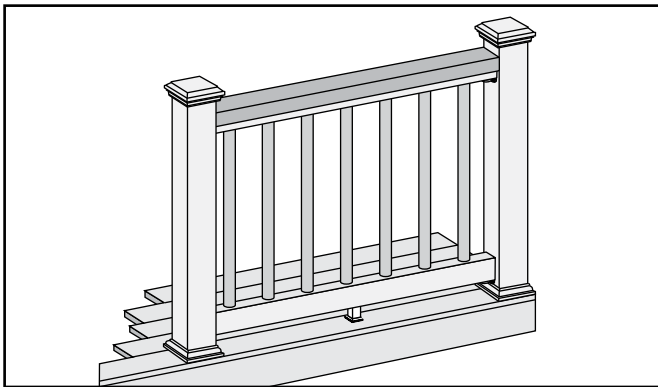


Deck Board Termination

13. Installing Foot Block

Install foot block per detailed instructions.

HOW TO INSTALL TRADITIONAL HORIZONTAL RAILING TREX SELECT®



1. Installing Pressure-Treated Posts, Post Sleeve Skirts and Post Sleeves

See instructions on page 3.

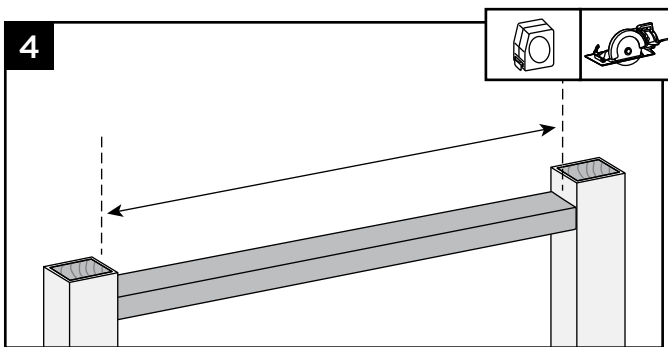
2. Attaching Foot Block to Bottom Railing

See instructions on page 3.

3. Cutting Railings

See instructions on page 3.

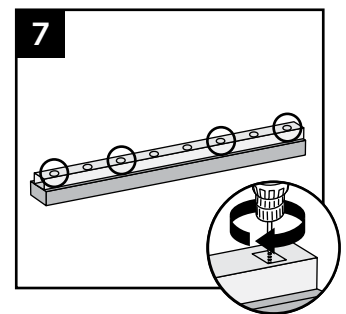
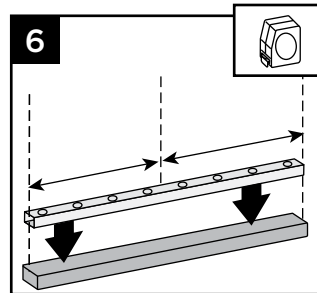
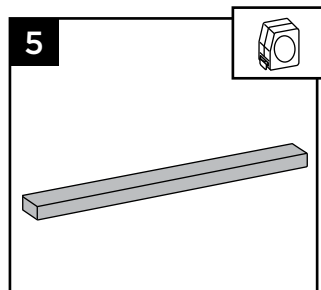
Cutting 2 x 4



4. Cut 2 x 4 to same length of the inverted Select top rail.

Attaching 2 x 4 to Select Top Rail

5. Place inverted 2 x 4 (top side face down) on clean, flat surface.



6. Place inverted Select top (orient properly so baluster holes are shown top side up) on 2 x 4.
7. Secure 2 x 4 to Select top rail with 3/4" screw provided approximately every 16" on center. Screws are to be installed inside of the baluster holes into the decking board.

NOTES:

- » **DO NOT** overtighten. Note that a long drill bit will be required to fit inside the baluster holes.
- » If installing 8' rail section and using Aluminum Rail Stiffener, predrilling will be required through the stiffener.

8. Attaching Brackets to Rails

See instructions on page 3 and 4.

9. Assembling Railing Sections

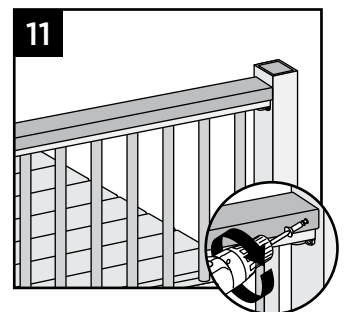
See instructions on page 4.

10. Installing Railing Sections to Posts

See instructions on page 4.

11. Attaching 2x4 to Posts

Pre-drill a pilot hole and toenail 2-1/2" (64 mm) composite screw (not provided) at each end of 2 x 4 into post on back side of rail (side not facing decking).



12. Attaching Post Caps and Installing Foot Block

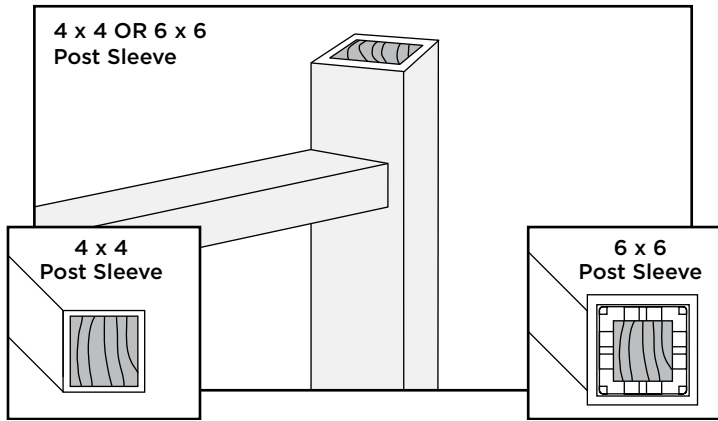
Secure post caps with silicone or PVC adhesive (apply adhesive on the inside self-centering/corner tabs). Attach Foot Block per Foot Block instructions.

TREX SELECT® HORIZONTAL RAILING

Installation Instructions

HOW TO INSTALL ON-AN-ANGLE RAILING TREX SELECT®

NOTE: Brackets are designed to be installed up to a 45° angle.



Both 4" x 4" (102 mm x 102 mm) or 6" x 6" (152 mm x 152 mm) post sleeves work well for angles up to 45 degrees. Bottom rail brackets may need to be slightly offset to one side in order to fit properly to hold rail in place. Before attaching bracket to rail, measure and mark to ensure bottom rail remains parallel to upper rail.

