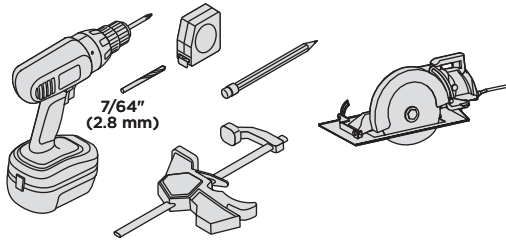


TREX® SIGNATURE® STAIR PANEL

Basic Installation Instructions

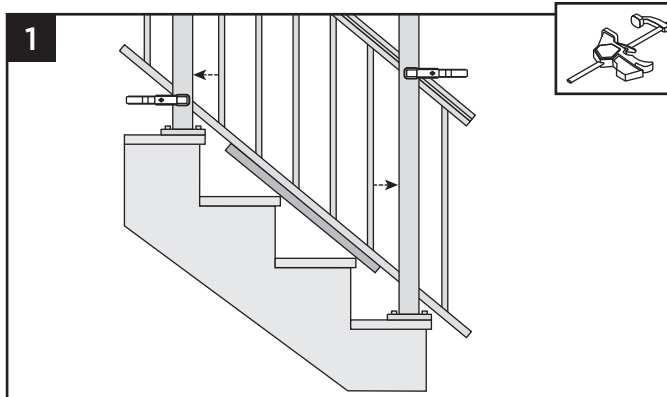


TOOLS NEEDED

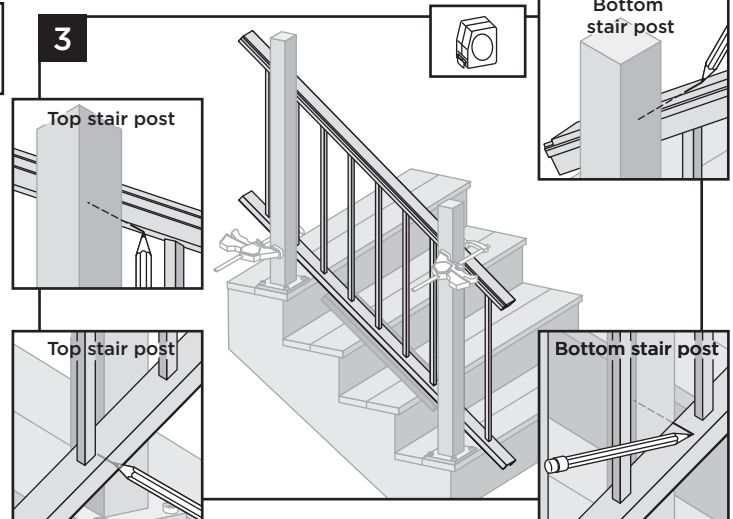


NOTES:

- » These are not detailed instructions. Refer to trex.com full installation guide for additional installation methods.
- » Assembled Trex Signature Stair Panels DO NOT come with foot blocks. You must purchase foot blocks separately (sku BKAL08FTBLK) (one per panel required on spans greater than 6').
- » Assembled Trex Signature Stair Panels DO NOT come with brackets and screws. You must purchase the stair rail hardware separately (sku BKFSBKAL) (one per panel).
- » FOR A 6' OR 8' STAIR RAIL, POST TO POST SPAN WILL BE LESS THAN 6' OR 8'. PRIOR TO INSTALLING STAIR POSTS CALCULATE POST TO POST SPAN USING A MAXIMUM STAIR RAIL LENGTH REQUIRED AND THE ANGLE (32°-37°) AT WHICH THE STAIR RAILS WILL BE INSTALLED. DO NOT INSTALL STAIR POSTS AT 6' OR 8' SPAN, AS STAIR RAILINGS WILL THEN BE TOO SHORT.

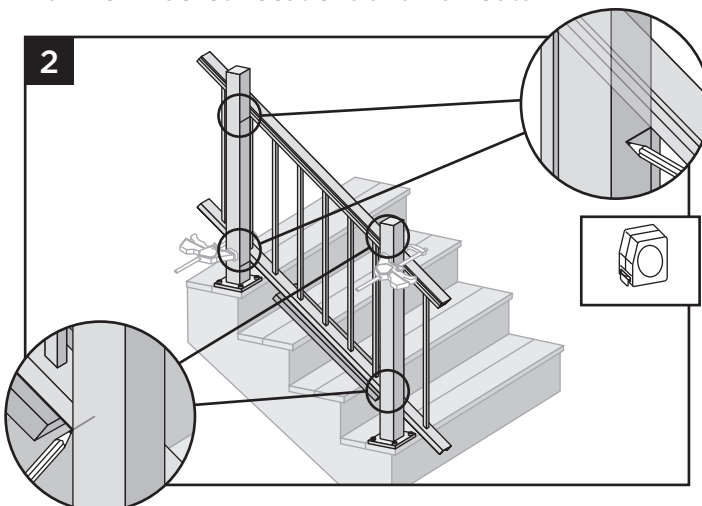


1. Use a 1" deck board as a spacer board and lay this on the stair treads between the posts. Place stair panel on top of the deck board and clamp stair panel to posts. Ensure that balusters are straight and positioned with equal spacing at post locations.



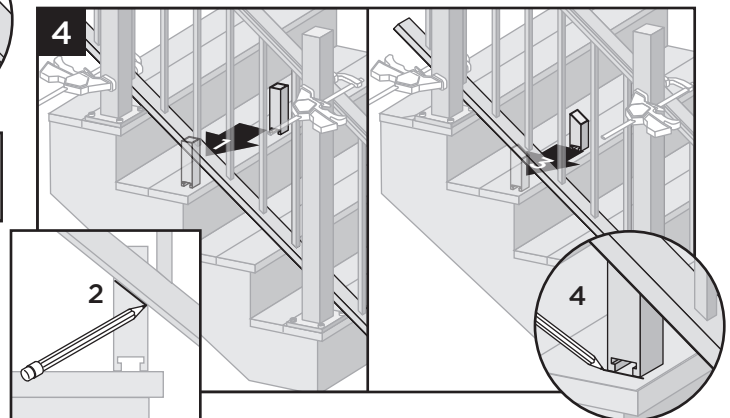
3. Mark stair rails to cut. At top stair post location, mark UNDERSIDE of lower and upper stair rails. At bottom stair post location, mark TOPSIDE of lower and upper stair rails.

Mark for Bracket Locations and Rail Cuts



2. Mark posts for bracket locations. Mark at the underside of both top and bottom stair railing locations.

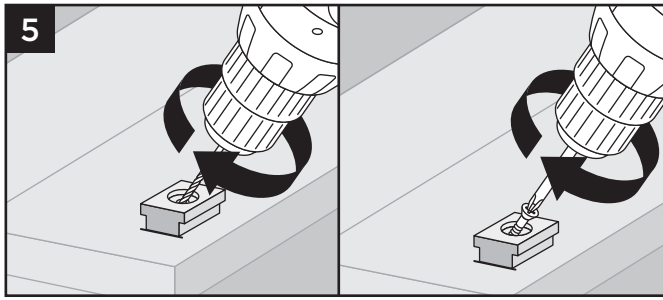
Attaching Foot Block (when required)



4. Mark location of angle on foot block and cut on mark. Then place foot block under the center of the bottom stair rail. Mark placement location of the base.

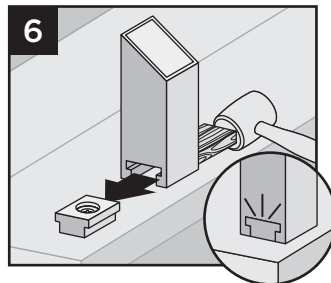
TREX® SIGNATURE® STAIR PANEL

Basic Installation Instructions

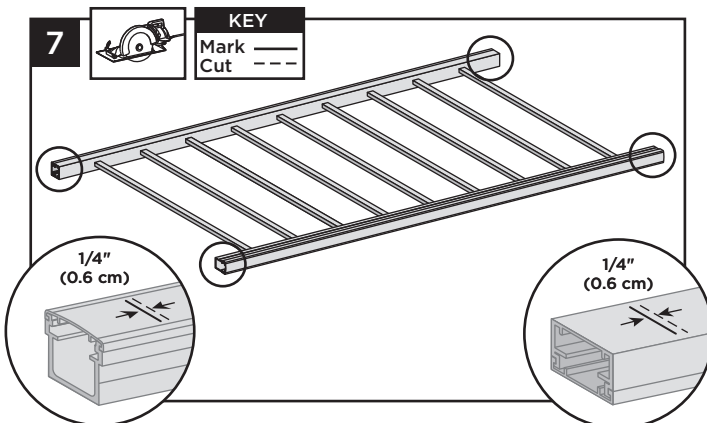


5. Place base (smaller side facing down) on decking surface. Pre-drill using a 3/16" bit. Attach base of foot block using one screw at an angle through base and into decking.

6. After attached, use a rubber mallet along with scrap piece of wood to tap foot block until it locks into place.



Cutting Stair Panel Rails:

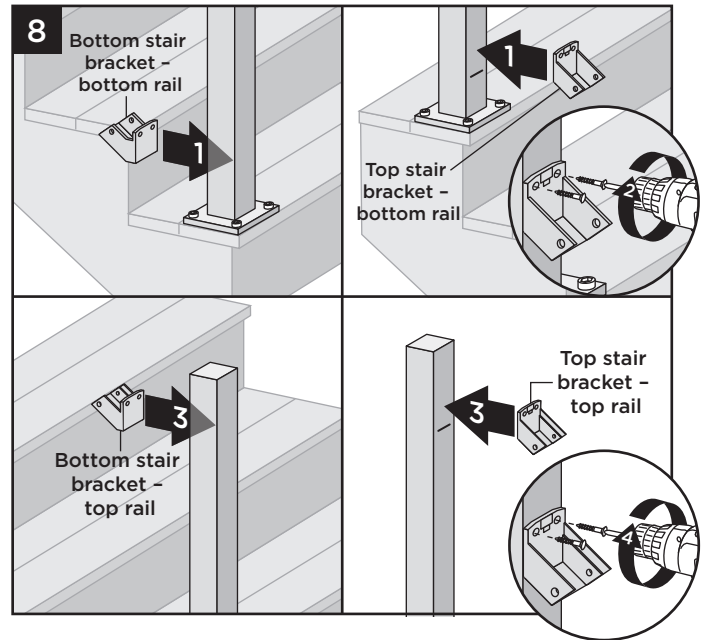


7. Remove panel and place on flat surface. Cut each end of the bottom and top stair rails 1/4" (0.6 cm) shorter than the mark on each end to allow for fit into stair rail brackets.

NOTES:

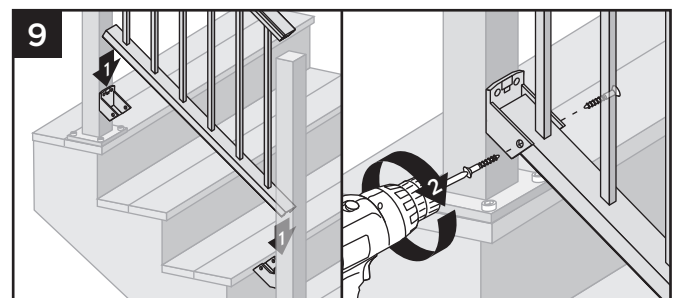
- » Railing does not need to be cut at angle. Brackets are designed to allow for railing to be installed with standard straight cut.

Attaching Upper and Lower Stair Brackets



8. Center stair brackets on posts above the marked line and attach using two self-tapping screws (provided). In some cases it may be difficult to attach the stair bracket on the lower stair post. A 90° cordless drill is recommended to attach screws in this area.

Attaching Stair Panel to Brackets



9. Attach stair panel to brackets using two self-tapping screws (provided) on each side of stair bracket.

NOTE: Pre-drilling is required (7/64" [0.28 cm] drill bit) for attachment of stair rail to stair bracket.

REFER TO FULL INSTRUCTIONS FOR ATTACHMENT OF DIFFERENT RAILING CONFIGURATIONS, ATTACHMENT OF POST CAPS, BRACKET COVERS, AND SKIRTS.